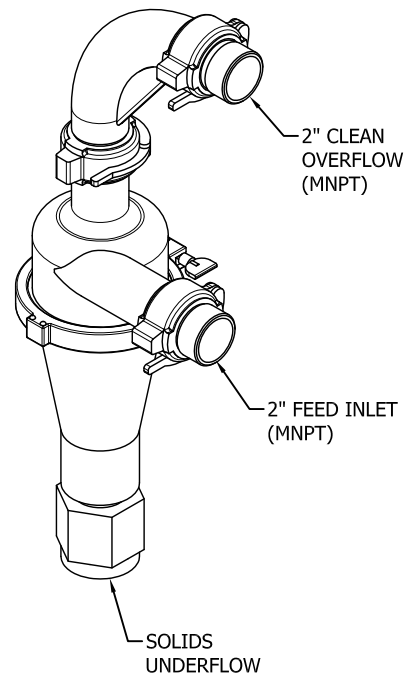
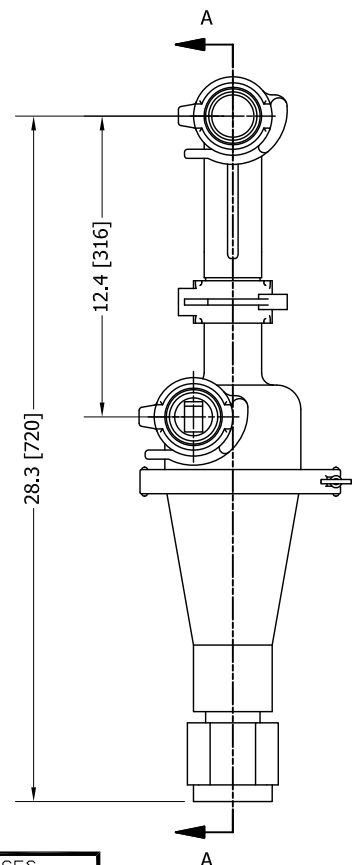


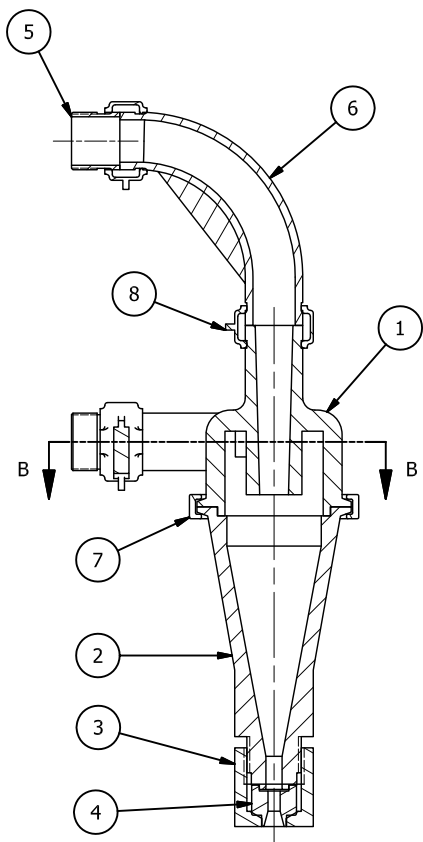
SECTION B-B
SCALE 1 / 6



ISOMETRIC VIEW
SCALE 1 / 6



FRONT VIEW
SCALE 1 / 6



SECTION A-A
SCALE 1 / 6

NOTES: 1. DIMENSIONS = INCHES [mm].

| PARTS LIST | | | | |
|------------|-----|----------------|----------------------------------|-----------------|
| ITEM | QTY | PART NUMBER | DESCRIPTION | MATERIAL |
| 1 | 1 | C-071911-01 | FEED SECTION, 4" HYDROCYCLONE | URETHANE |
| 2 | 1 | C-071911-02 | CONE SECTION, 4" HYDROCYCLONE | URETHANE |
| 3 | 1 | C-071911-03 | APEX NUT, 4" HYDROCYCLONE | URETHANE |
| 4 | 1 | C-071911-04 | APEX NOZZLE, 4" HC, 1/2" ORIFICE | Rubber |
| 5 | 2 | C-AD-2-GXT-304 | ADAPTER, 2" GRVxNPT | Stainless Steel |
| 6 | 1 | C-ELB-2-U-90 | ELBOW, 2" 90*, GRVxGRV, MOLDED | URETHANE |
| 7 | 1 | C-TC-6-304 | TRI-CLAMP, 6" SANITARY | Stainless Steel |
| 8 | 3 | C-VC-2-78-CS | COUPLING, 2" GRV. | Carbon Steel |

| | |
|---------------------------------|--------|
| TOLERANCES (EXCEPT AS NOTED) | |
| 3 PLACE DECIMALS | ± .125 |
| 2 PLACE DECIMALS | ± .188 |
| 1 PLACE DECIMALS | ± .250 |



Drawn By: A.LERMA
Date: 08/17/12
1234 N. Post Oak Ste.100
Houston, TX. 77055
Phone: 713-688-2008 Fax: 713-688-2993
www.cccmix.com

Material: NOTED
Title: 4" VORSPIN HYDROCYCLONE, MOLDED
W/MNPT ADAPTERS
GENERAL ARRANGEMENT

Sheet No. SHEET 1 of 1
ESTIMATED WEIGHT 22 LBS. [10 kg]

Copyright: This drawing is not to be reproduced or modified in any way without expressed written consent from W.G. Lott-Compatible Components Corp.

Drawing No. C-HC-4-U-03