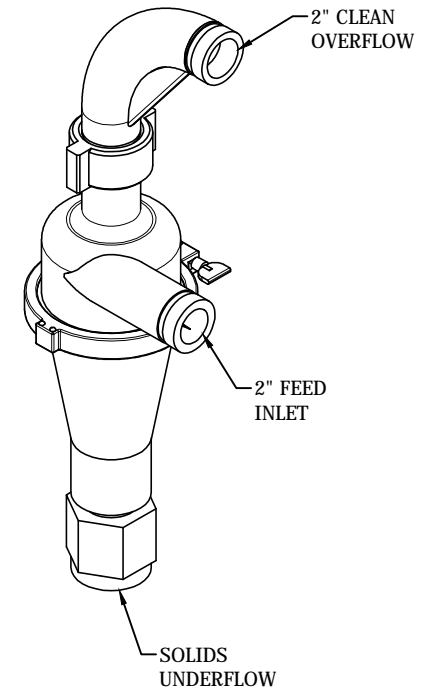
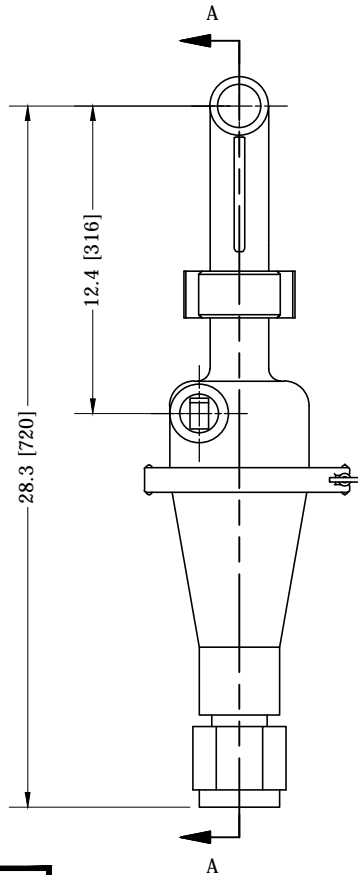


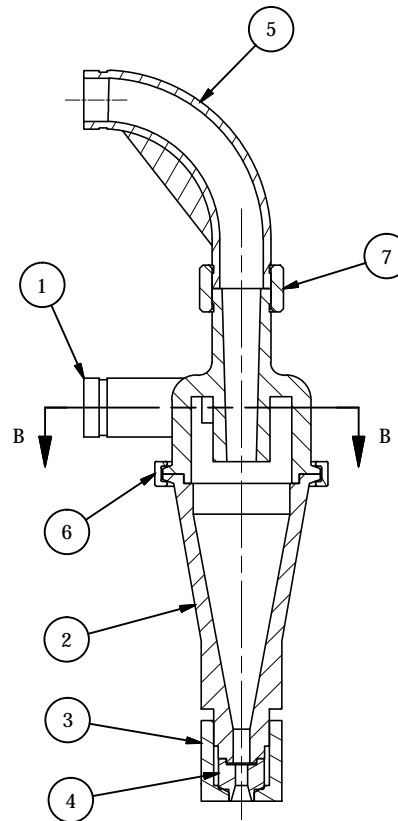
SECTION B-B
SCALE 1 / 6



ISOMETRIC VIEW
SCALE 1 / 6



FRONT VIEW
SCALE 1 / 6



SECTION A-A
SCALE 1 / 6

NOTES: 1. DIMENSIONS = INCHES [mm].

PARTS LIST				
ITEM	QTY	PART NUMBER	DESCRIPTION	MATERIAL
1	1	CCC-071911-01	FEED SECTION, 4" HYDROCYCLONE	URETHANE
2	1	CCC-071911-02	CONE SECTION, 4" HYDROCYCLONE	URETHANE
3	1	CCC-071911-03	APEX NUT, 4" HYDROCYCLONE	URETHANE
4	1	CCC-071911-04	APEX NOZZLE, 4" HC, 1/2" ORIFICE	Rubber
5	1	CCC-ELB-2-U-90	ELBOW, 2" 90*, GRVxGRV, MOLDED	URETHANE
6	1	CCC-TC-6	TRI-CLAMP, 6" SANITARY	Stainless Steel
7	1	CCC-VC-2	COUPLING, 2" VICTAULIC	Carbon Steel

TOLERANCES (EXCEPT AS NOTED)	
3 PLACE DECIMALS	± .125
2 PLACE DECIMALS	± .188
1 PLACE DECIMALS	± .250

Drawn By: B. MOSS Date: 08/17/12 Material: NOTED Sheet No. SHEET 1 of 1 ESTIMATED WEIGHT: 15 LBS. [7 kg]

1234 N. Post Oak Ste.100
Houston, TX. 77055
Phone: 713-688-2008 Fax: 713-688-2993
WWW.CCCMIX.COM

Title: 4" VORSPIN HYDROCYCLONE, MOLDED W/ ELBOW
GENERAL ARRANGEMENT

Copyright: This drawing is not to be reproduced or modified in any way without expressed written consent from W.G. Lott-Compatible Components Corp.

Drawing No. C-HC-4-U-02