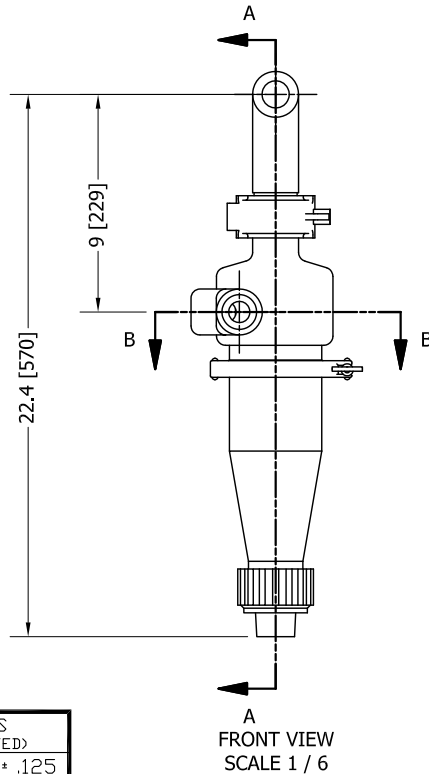
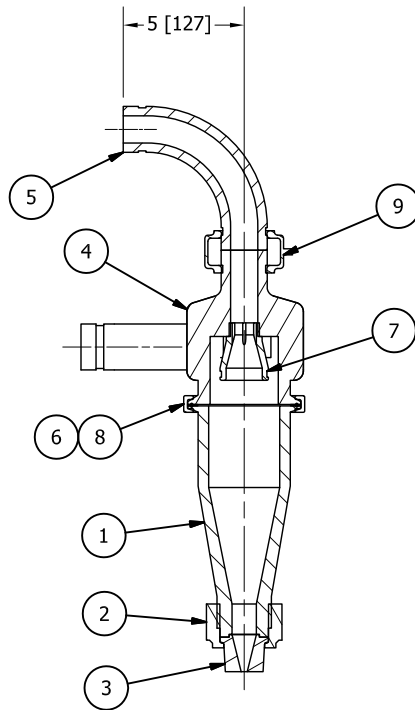


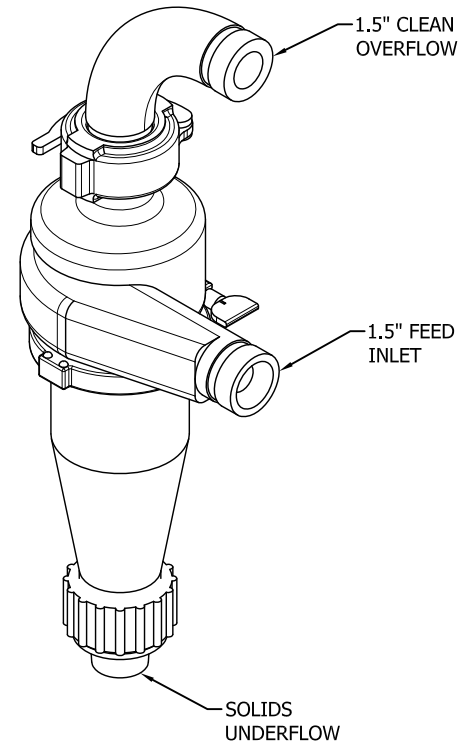
SECTION B-B
SCALE 1 / 6



A
FRONT VIEW
SCALE 1 / 6



SECTION A-A
SCALE 1 / 6



ISOMETRIC VIEW
SCALE 1 / 4

NOTES: 1. DIMENSIONS = INCHES [mm].

PARTS LIST				
ITEM	QTY	PART NUMBER	DESCRIPTION	MATERIAL
1	1	C-040611-01	CONE SECTION, 2" HYDROCYCLONE	URETHANE
2	1	C-040611-02	APEX NUT, HYDROCYCLONES	URETHANE
3	1	C-040611-03	APEX NOZZLE, 1/4" ORIFICE	URETHANE
4	1	C-040611-04	FEED SECTION, 2" HYDROCYCLONE	URETHANE
5	1	C-ELB-1.5-U-90	ELBOW, 1.5" 90*, GRVxGRV, MOLDED	URETHANE
6	1	C-GSK-S-4	GASKET, 4" TRI-CLAMP	Rubber
7	1	C-HC-VF-U-2	NOZZLE INSERT, 2" URETHANE	Rubber
8	1	C-TC-4-304	TRI-CLAMP, 4" SANITARY	304 SS
9	1	C-VC-1.5-78-CS	COUPLING, 1.5" GRV.	Carbon Steel

TOLERANCES (EXCEPT AS NOTED)	
3 PLACE DECIMALS	± .125
2 PLACE DECIMALS	± .188
1 PLACE DECIMALS	± .250

	Drawn By: A.LERMA Date: 08/17/12 Material: NOTED Sheet No. SHEET 1 of 1	Title: 2" VORSPIN HYDROCYCLONE W/ ELBOW 1/4" ORIFICE GENERAL ARRANGEMENT	ESTIMATED WEIGHT: 11 LBS. [5 kg]	Copyright: This drawing is not to be reproduced or modified in any way without expressed written consent from W.G. Lott-Compatible Components Corp.	Drawing No. C-HC-2-U-02
	1234 N. Post Oak Ste.100 Houston, TX. 77055 Phone: 713-688-2008 Fax: 713-688-2993 www.cccmix.com				