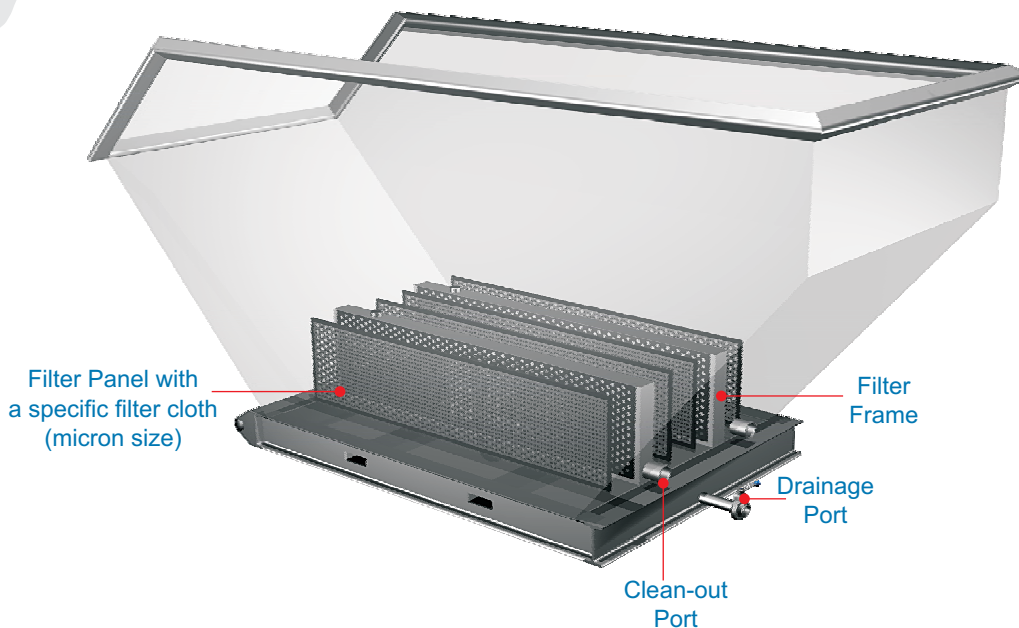
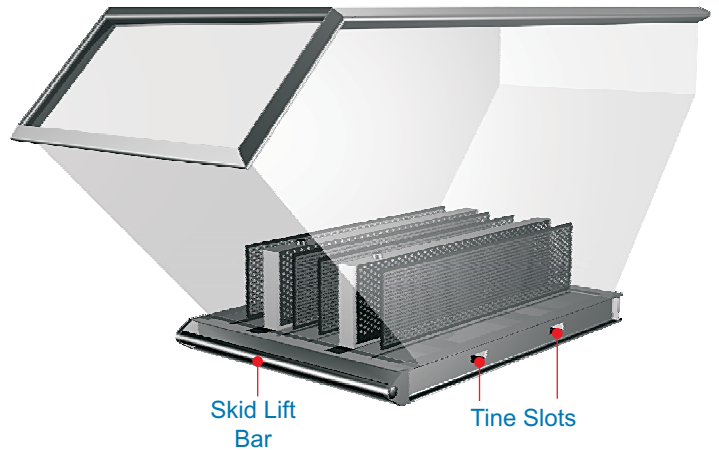


AZ Dewatering Container

A simple and economical method in dewatering sludge

Features and Benefits:

- Four Vertical Filter Panels provides a large filter surface area for rapid dewatering
- Filter back-flush capability
- One-step dewatering in a portable hopper
- Non-blinding Vertical Filter Panels (do not blind off like horizontal filter media)
- Replaceable filter panels with wide choice in micron size filter cloth



Solids/liquid separation can be accelerated utilizing an air diaphragm pump. The air diaphragm pump can be connected to the container drainage port located on the back side of the base frame. A strong vacuum is generated as the sludge level covers the drainage port resulting in rapid dewatering. The air diaphragm pump serves two purposes; 1) Accelerates the separation and dewatering process and 2) Delivers the clean liquid to a desired disposal location.

www.cccmix.com

1213 West Loop N., Ste. 180 Houston, TX 77055
Tel: 713-688-2008 • Fax: (713) 688-2993

