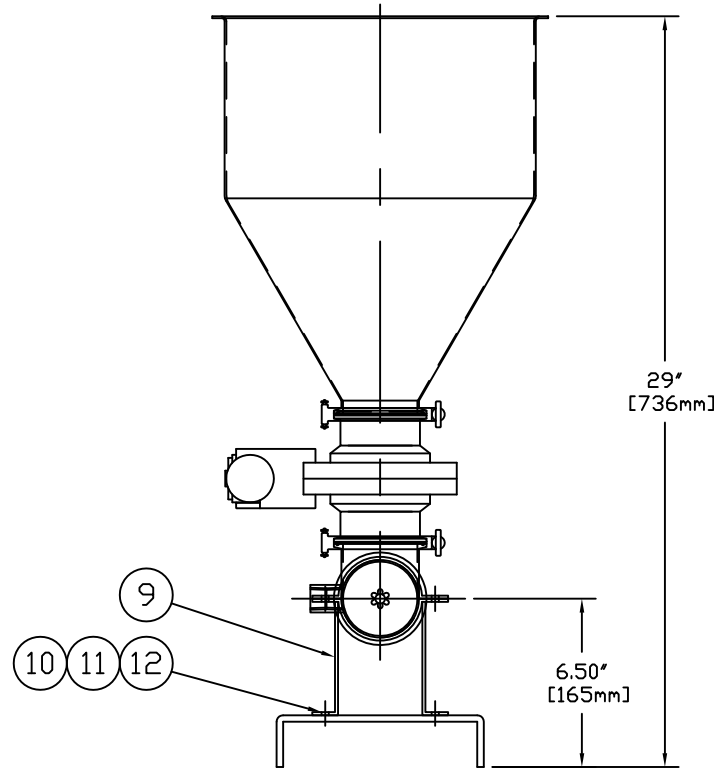
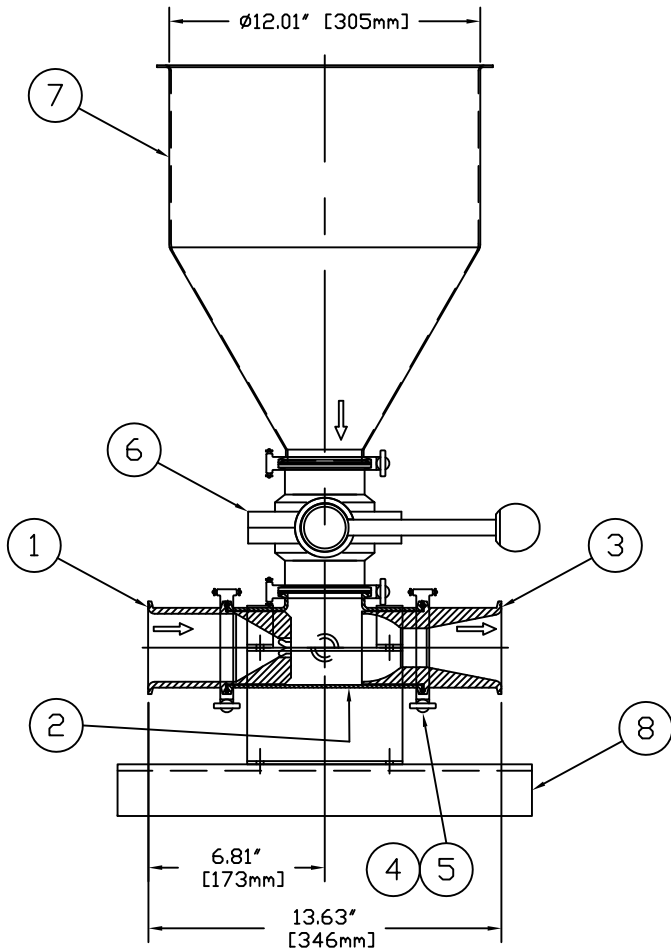


12	8	STANDARD ITEM	WASHER, 1/4" FLAT	304 S.S.
11	8	STANDARD ITEM	LOCKNUT, HEX 1/4" UNC.	304 S.S.
10	8	STANDARD ITEM	BOLT, HEX 1/4" UNC. X LG.	304 S.S.
9	1	CCC-BRK-C-3-SS	SUPPORT BRACKET, 3" CENTER	304 S.S.
8	1	CCC-050709-03	BASE FRAME, 16"	304 S.S.
7	1	CCC-H12-3-SS	HOPPER, 12" CONICAL X 3" SANITARY	304 S.S.
6	1	STANDARD ITEM	VALVE, 3" BUTTERFLY, SANITARY	SEP. BDM
5	6	STANDARD ITEM	GASKET, 3" TRI-CLAMP	RUBBER
4	6	STANDARD ITEM	TRI-CLAMP, 3" SANITARY	304 S.S.
3	1	CCC-DV-3-SS	DIFFUSER/VENTURI INSERT, 3" SANITARY	304 S.S.
2	1	PAGE 2 OF 2	TEE, 3" SANITARY (MODIFIED)	304 S.S.
1	1	CCC-NZ-3-SS	NOZZLE INSERT, 3" SANITARY	304 S.S.
ITEM	QTY	PART/DWG NUMBER	DESCRIPTION	MATERIAL



TOLERANCES  
(EXCEPT AS NOTED)

3 PLACE DECIMALS \* .005  
2 PLACE DECIMALS \* .010  
1 PLACE DECIMALS \* .015

Drawn By: A.LERMA  
Date: 09/10/09  
Material:  
1213 West Loop N. Ste.180  
Houston, TX. 77055  
www.cccmix.com  
Phone: 713-688-2008 Fax: 713-688-2993

Page No: Page 1 of 1  
Title: 3" MIXING EDUCTOR, SANITARY  
GENERAL ARRANGEMENT

ESTIMATED WEIGHT  
Copyright: This drawing is not to be reproduced or modified in any way without expressed written consent from V.G. Lott-Compatible Components Corp.

Drawing No. CCC-ED-3-SS-3