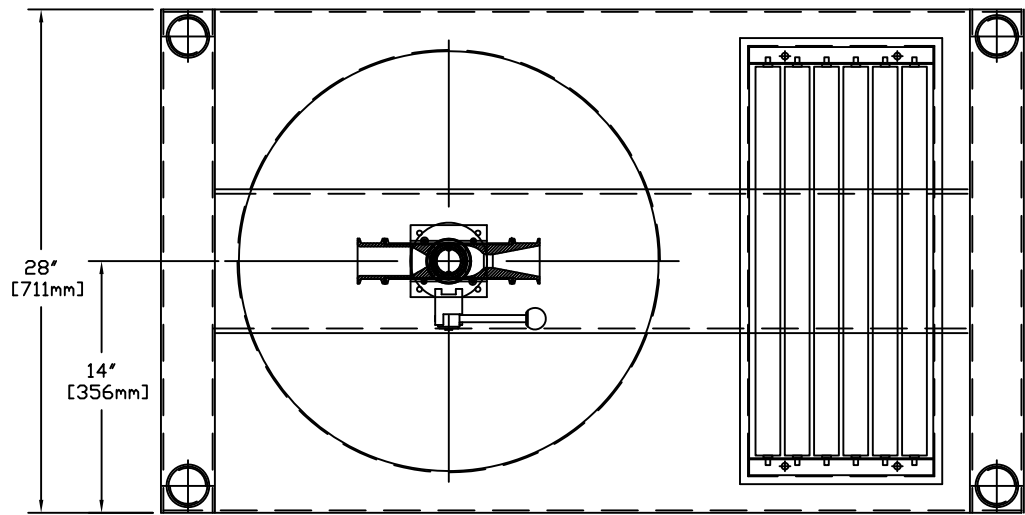
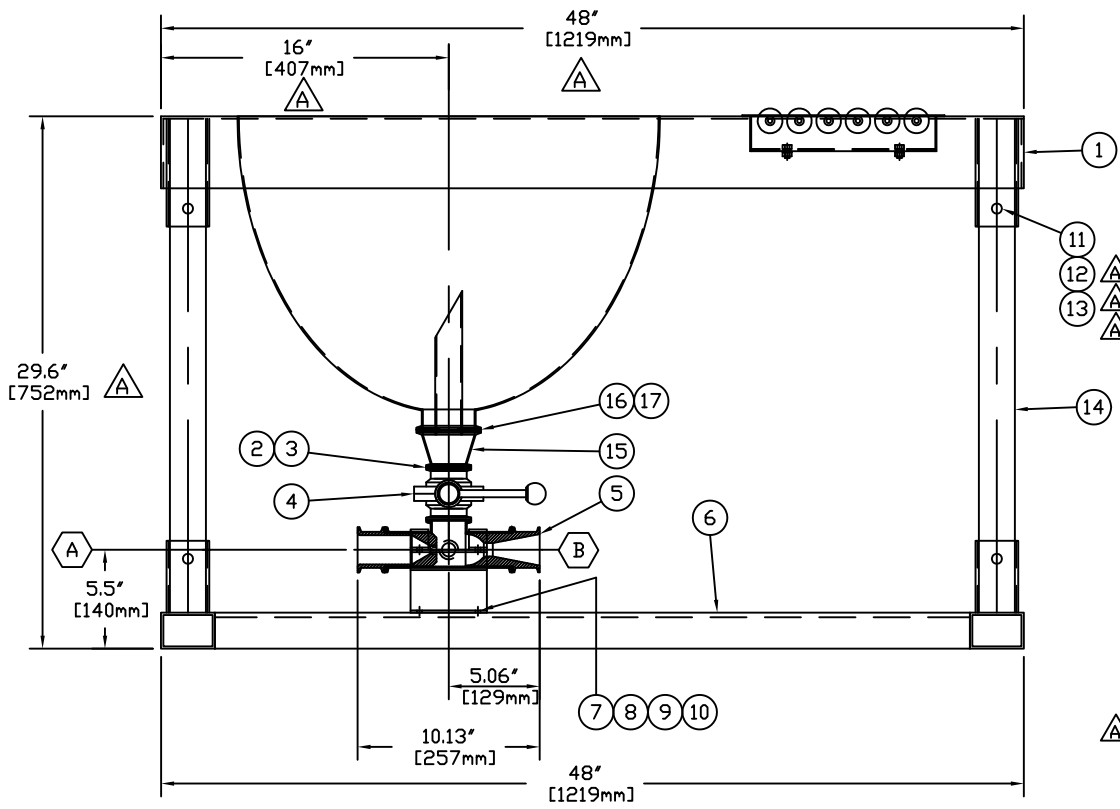


DATE	REV	BY
03/13/09	A	A.L.



TOLERANCES
(EXCEPT AS NOTED)

- 3 PLACE DECIMALS ± .125
- 2 PLACE DECIMALS ± .188
- 1 PLACE DECIMALS ± .250



MK. NO.	QUAN.	SIZE	RATING	TYPE	SCHEDULE	OS PROJ.	SERVICE
B	1	2"	150#	TRICLAMP	N/A	AS SHOWN	MOTIVE FEED INLET
A	1	2"	150#	TRICLAMP	N/A	AS SHOWN	BLENDED DISCHARGE
CUSTOMER FIELD CONNECTIONS							
17	1	STANDARD ITEM		GASKET, 3" TRI-CLAMP			RUBBER
16	1	STANDARD ITEM		TRI-CLAMP, 3" SANITARY			304 S.S.
15	1	CCC-BS-3-SS-1		REDUCER, 3" X 2" CONC., W/BAG SLITTER			304 S.S.
14	4	CCC-LS-SS-1		LEG SUPPORT, 27.5" LG.			304 S.S.
13	8	STANDARD ITEM		WASHER, 1/2" FLAT			304 S.S.
12	8	STANDARD ITEM		LOCKNUT, HEX 1/2" UNC.			304 S.S.
11	8	STANDARD ITEM		BOLT, HEX 1/2" UNC. X 4" LG.			304 S.S.
10	8	STANDARD ITEM		WASHER, 1/4" FLAT			304 S.S.
9	8	STANDARD ITEM		LOCKNUT, HEX 1/4" UNC.			304 S.S.
8	8	STANDARD ITEM		BOLT, HEX 1/4" UNC. X LG.			304 S.S.
7	1	CCC-BRK-C-2-SS		SUPPORT BRACKET, 2" CENTER			304 S.S.
6	1	CCC-BFI-SS-1		I-FRAME SKID ASSEMBLY			304 S.S.
5	1	CCC-ED-2-SS-1		EDUCTOR, 2" MIXING, SANITARY			304 S.S.
4	1	STANDARD ITEM		VALVE, 2" BUTTERFLY, SANITARY			SEP. BDM
3	6	STANDARD ITEM		GASKET, 2" TRI-CLAMP			RUBBER
2	6	STANDARD ITEM		TRI-CLAMP, 2" SANITARY			304 S.S.
1	1	CCC-TT24-SS-3		TABLETOP ASSY., Ø24" HOPPER, W/ROLLERS			304 S.S.
ITEM	QTY	PART/DWG NUMBER		DESCRIPTION			MATERIAL

BILL OF MATERIALS

Drawn By: A.LERMA	Date: 09/10/09	Material:	Page No: Page 1 of 1	ESTIMATED WEIGHT:
1213 West Loop N. Ste.180 Houston, TX. 77055 www.cccmix.com Phone: 713-688-2008 Fax: 713-688-2993		Title: 2" MIXING EDUCTOR, SANITARY GENERAL ARRANGEMENT		Copyright: This drawing is not to be reproduced or modified in any way without expressed written consent from V.G. Lott-Compatible Components Corp.
			Drawing No. CCC-ED-2-SS-5A	