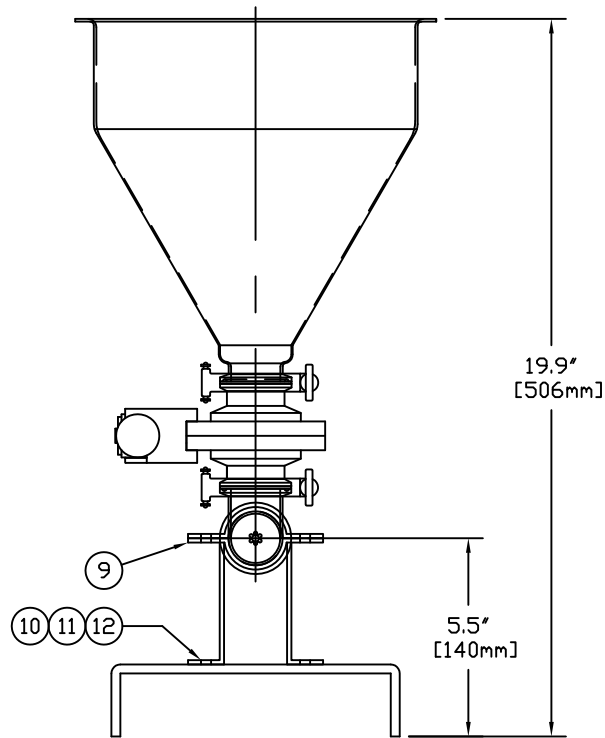
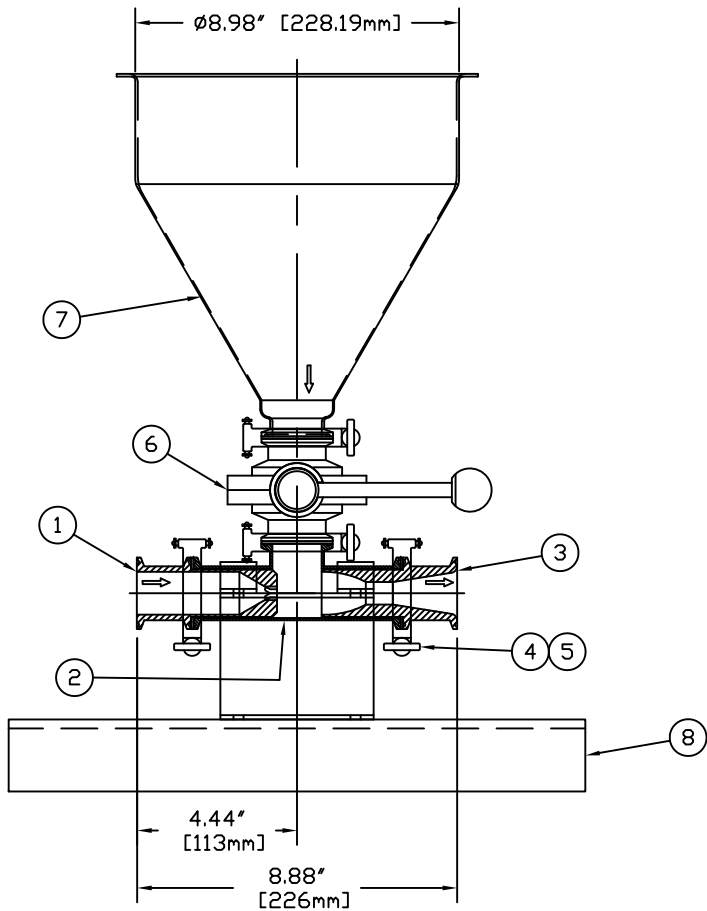


ITEM	QTY	PART/DWG NUMBER	DESCRIPTION	MATERIAL
12	8	STANDARD ITEM	WASHER, 1/4" FLAT	304 S.S.
11	8	STANDARD ITEM	LOCKNUT, HEX 1/4" UNC.	304 S.S.
10	8	STANDARD ITEM	BOLT, HEX 1/4" UNC. X LG.	304 S.S.
9	1	CCC-BRK-C-1.5-SS	SUPPORT BRACKET, 1.5" CENTER	304 S.S.
8	1	CCC-050709-02	BASE FRAME, 16"	304 S.S.
7	1	CCC-H9-1.5-SS	HOPPER, 9" CONICAL X 1.5" SANITARY	304 S.S.
6	1	STANDARD ITEM	VALVE, 1.5" BUTTERFLY, SANITARY	SEP. BDM
5	3	STANDARD ITEM	GASKET, 1.5" TRI-CLAMP	RUBBER
4	3	STANDARD ITEM	TRI-CLAMP, 1.5" SANITARY	304 S.S.
3	1	CCC-DV-1.5-SS	DIFFUSER/VENTURI INSERT, 1.5" SANITARY	304 S.S.
2	1	STANDARD ITEM	TEE, 1.5" SANITARY	304 S.S.
1	1	CCC-NZ-1.5-SS	NOZZLE INSERT, 1.5" SANITARY	304 S.S.



TOLERANCES
(EXCEPT AS NOTED)

- 3 PLACE DECIMALS * .005
- 2 PLACE DECIMALS * .010
- 1 PLACE DECIMALS * .015

Drawn By: A.LERMA
Date: 09/10/09
Material:
Page No: Page 1 of 1
ESTIMATED WEIGHT

1213 West Loop N. Ste.180
Houston, TX. 77055
www.cccmix.com
Phone: 713-688-2008 Fax: 713-688-2993

Title: 1.5" MIXING EDUCTOR, SANITARY
GENERAL ARRANGEMENT

Copyright: This drawing is not to be reproduced or modified in any way without expressed written consent from V.G. Lott-Compatible Components Corp.

Drawing No. CCC-ED-1.5-SS-3