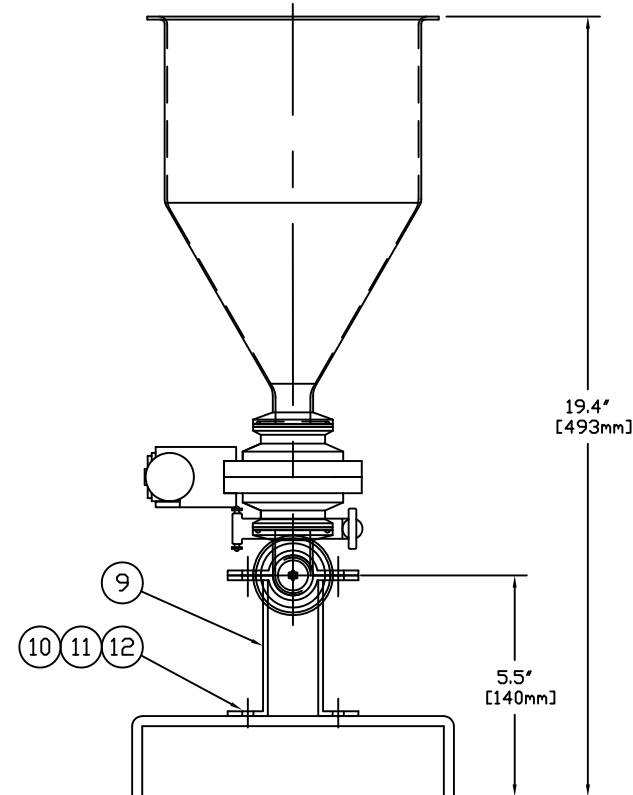
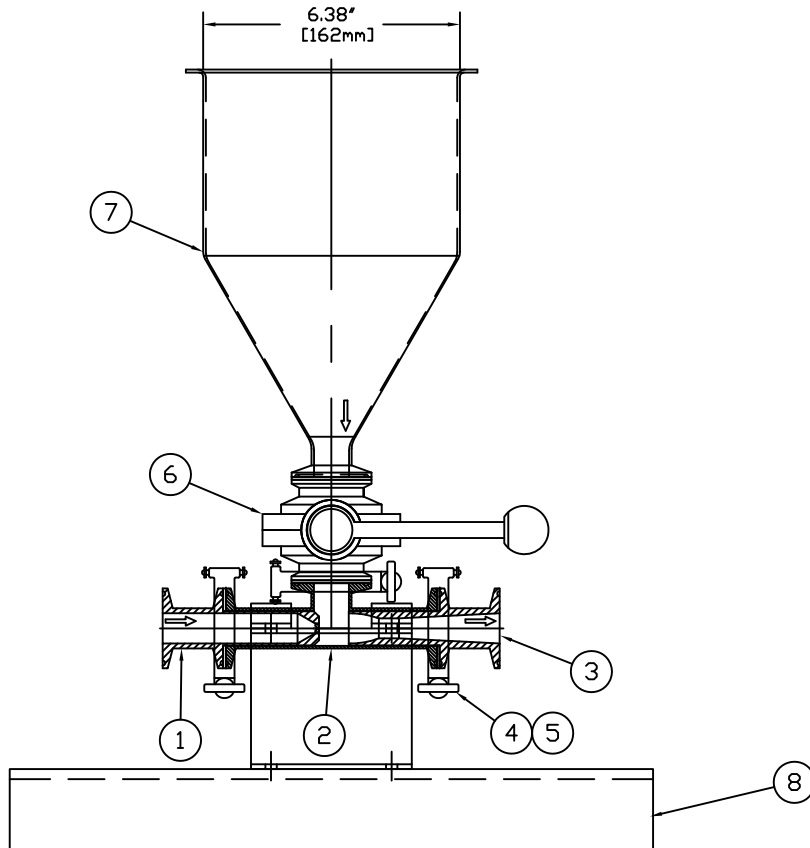


| 12   | 8   | STANDARD ITEM   | WASHER, 1/4' FLAT                    | 304 S.S. |
|------|-----|-----------------|--------------------------------------|----------|
| 11   | 8   | STANDARD ITEM   | LOCKNUT, HEX 1/4' UNC.               | 304 S.S. |
| 10   | 8   | STANDARD ITEM   | BOLT, HEX 1/4' UNC. X LG.            | 304 S.S. |
| 9    | 1   | CCC-BRK-C-1-SS  | SUPPORT BRACKET, 1' CENTER           | 304 S.S. |
| 8    | 1   | CCC-050709-01   | BASE FRAME, 16'                      | 304 S.S. |
| 7    | 1   | CCC-H6-1-SS     | HOPPER, 6' CONICAL, 1' SANITARY      | 304 S.S. |
| 6    | 1   | STANDARD ITEM   | VALVE, 1' BUTTERFLY, SANITARY        | SEP. BDM |
| 5    | 3   | STANDARD ITEM   | GASKET, 1' TRI-CLAMP                 | RUBBER   |
| 4    | 3   | STANDARD ITEM   | TRI-CLAMP, 1' SANITARY               | 304 S.S. |
| 3    | 1   | CCC-DV-1-SS     | DIFFUSER/VENTURI INSERT, 1' SANITARY | 304 S.S. |
| 2    | 1   | STANDARD ITEM   | TEE, 1' SANITARY                     | 304 S.S. |
| 1    | 1   | CCC-NZ-1-SS     | NOZZLE INSERT, 1' SANITARY           | 304 S.S. |
| ITEM | QTY | PART/DWG NUMBER | DESCRIPTION                          | MATERIAL |



TOLERANCES  
(EXCEPT AS NOTED)

3 PLACE DECIMALS \* .005  
2 PLACE DECIMALS \* .010  
1 PLACE DECIMALS \* .015

Drawn By: A.LERMA Date: 09/10/09

Material:

Page No: Page 1 of 1

ESTIMATED WEIGHT

1213 West Loop N. Ste.180  
Houston, TX. 77055  
www.cccmix.com  
Phone: 713-688-2008 Fax: 713-688-2993

Title

1" MIXING EDUCTOR, SANITARY  
GENERAL ARRANGEMENT

Copyright: This drawing is not to be reproduced or modified in any way without expressed written consent from V.G. Lott-Compatible Components Corp.

Drawing No.

CCC-ED-1-SS-3