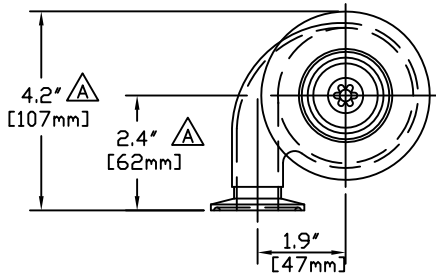
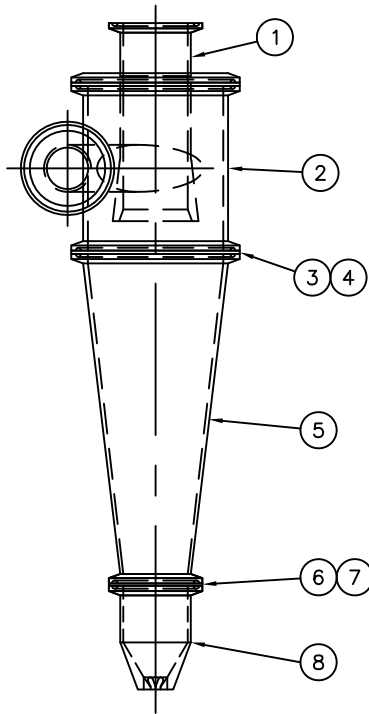


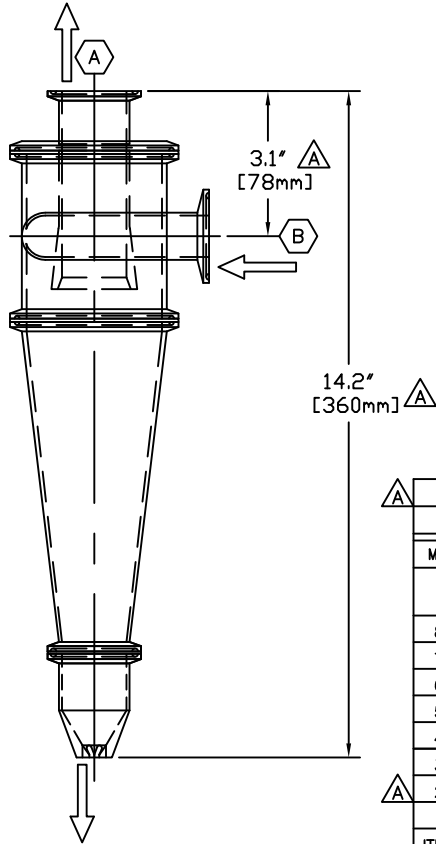
DATE	REV	BY
08/06/09	A	A.L.



TOP VIEW



FRONT VIEW



SIDE VIEW

MK. NO.	QUAN.	SIZE	RATING	TYPE	SCHEDULE	OS PROJ.	SERVICE	
A	B	1	1"	150#	TRICLAMP	N/A	AS SHOWN	FEED INLET
	A	1	1.5"	150#	TRICLAMP	N/A	AS SHOWN	OVERFLOW
CUSTOMER FIELD CONNECTIONS								
8	1	09290601		NOZZLE APEX, 1.5"			304 S.S.	
7	2	STANDARD ITEM		GASKET, 1.5" SANITARY			RUBBER	
6	2	STANDARD ITEM		TRICLAMP, 1.5" SANITARY			304 S.S.	
5	1	STANDARD ITEM		REDUCER, 3" X 1.5" CONCENTRIC			304 S.S.	
4	2	STANDARD ITEM		GASKET, 3" SANITARY			RUBBER	
3	2	STANDARD ITEM		TRICLAMP, 3" SANITARY			304 S.S.	
2	1	CCC-PM-3-SS-F5		FEED INLET SECTION, 3"			304 S.S.	
1	1	09290600		SUCTION/VORTEX FINDER SECTION			304 S.S.	
ITEM	QTY	PART/DWG NUMBER		DESCRIPTION			MATERIAL	

BILL OF MATERIALS

TOLERANCES (EXCEPT AS NOTED) 3 PLACE DECIMALS ± .125 2 PLACE DECIMALS ± .188 1 PLACE DECIMALS ± .250	Drawn By A.LERMA Date 09/10/09 Material	Page No. Page 1 of 1	ESTIMATED WEIGHT
	1213 West Loop N. Ste.180 Houston, TX. 77055 www.cccmix.com Phone: 713-688-2008 Fax: 713-688-2993	Title 3" VORSPIN HYDROCYCLONE GENERAL ARRANGEMENT Page 1 of 1	Copyright: This drawing is not to be reproduced or modified in any way without expressed written consent from W.G. Lott-Compatible Components Corp.