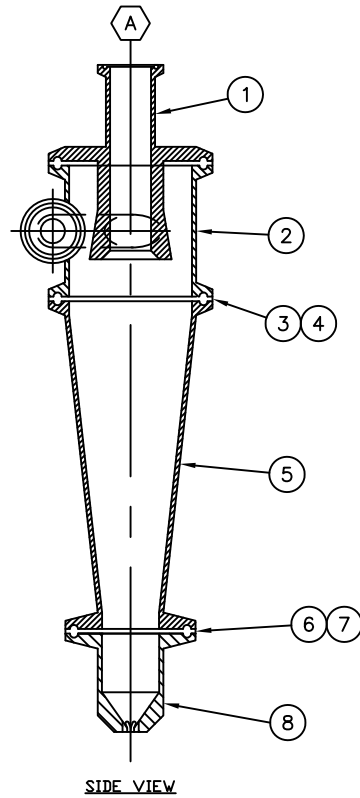
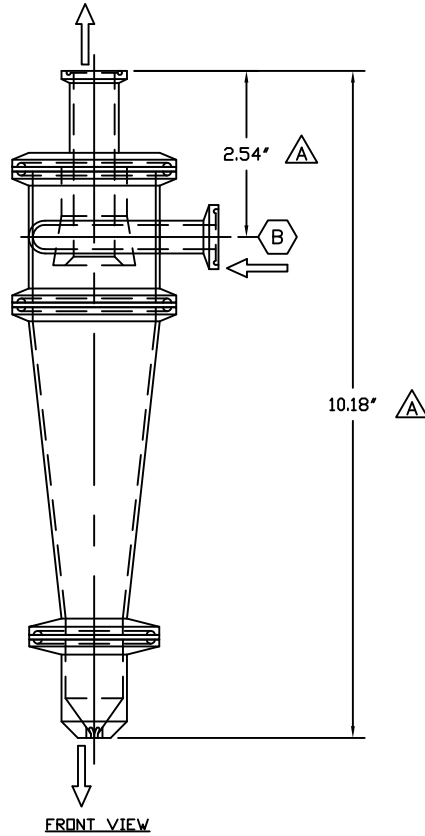
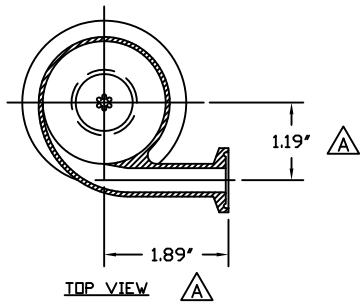


DATE	REV	BY
08/06/09	A	A.L.



MK. NO.	QUAN.	SIZE	RATING	TYPE	SCHEDULE	OS PROJ.	SERVICE
B	1	1/2"	150#	TRICLAMP	N/A	AS SHOWN	FEED INLET
A	1	3/4"	150#	TRICLAMP	N/A	AS SHOWN	OVERFLOW
CUSTOMER FIELD CONNECTIONS							
8	1	12020801		NOZZLE APEX, 1"			304 S.S.
7	2	STANDARD ITEM		GASKET, 1" SANITARY			RUBBER
6	2	STANDARD ITEM		TRICLAMP, 1" SANITARY			304 S.S.
5	1	STANDARD ITEM		REDUCER, 2" X 1" CONCENTRIC			304 S.S.
4	2	STANDARD ITEM		GASKET, 2" SANITARY			RUBBER
3	2	STANDARD ITEM		TRICLAMP, 2" SANITARY			304 S.S.
2	1	CCC-PM-2-SS-F7		FEED INLET SECTION, 2" X 1/2"			304 S.S.
1	1	12020800		VENT/VORTEX FINDER SECTION, 3/4"			304 S.S.
ITEM	QTY	PART/DWG NUMBER		DESCRIPTION			MATERIAL
BILL OF MATERIALS							

TOLERANCES (EXCEPT AS NOTED)	
3 PLACE DECIMALS	± .125
2 PLACE DECIMALS	± .188
1 PLACE DECIMALS	± .250

Drawn By **A.LERMA** Date **09/10/09**
1213 West Loop N. Ste.180
Houston, TX. 77055
 www.cccmix.com
 Phone: 713-688-2008 Fax: 713-688-2993

Material _____ Page No. **Page 1 of 1**
 Title **2" VORSPIN HYDROCYCLONE GENERAL ARRANGEMENT**
 Page 1 of 1

ESTIMATED WEIGHT _____
 Copyright: This drawing is not to be reproduced or modified in any way without expressed written consent from W.G. Lott-Compatible Components Corp.

Drawing No. **CCC-HC2-SS-M1A**